

## Notifier Warning Sign Product Installation Document

16/10/2009 Rev: 1.00  
DOC-03-027 ECN09-067

### 1. Product Overview

The Notifier Warning Signs are designed to provide occupants of an area a visual warning alerting them to a potentially dangerous situation. When used in conjunction with the extinguishing agent release module the warning sign becomes a component of an AS4214 extinguishing agent release system.

### 2. Installation

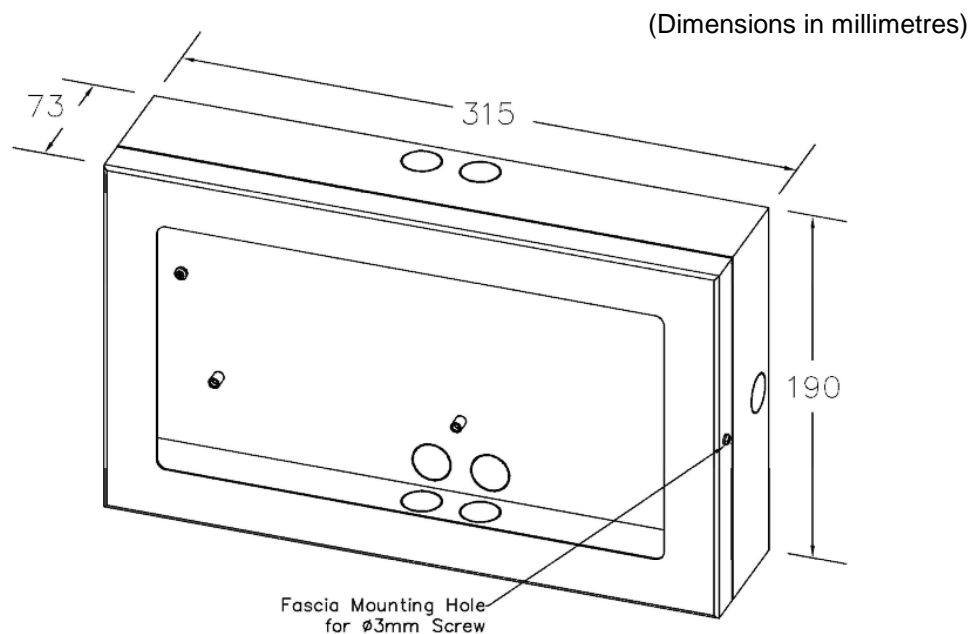


**WARNING:** Installation should be performed by competent persons in accordance with the relevant standards as required for the installation. Honeywell Ltd accepts absolutely no liability for the suitability or placement of the warning signs within an installation.

1. Remove power from the panel.
2. Set the jumpers on the warning sign as required. Refer to Table 1 for jumper configuration.
3. Mount the warning sign as shown in Figure 1 to Figure 4.
4. Connect the wiring connections as per Figure 5.
5. Mount warning sign fascia with the warning sign enclosure and secure with the provided screws. For the outdoor version, insert the gasket before mounting the fascia to the enclosure.

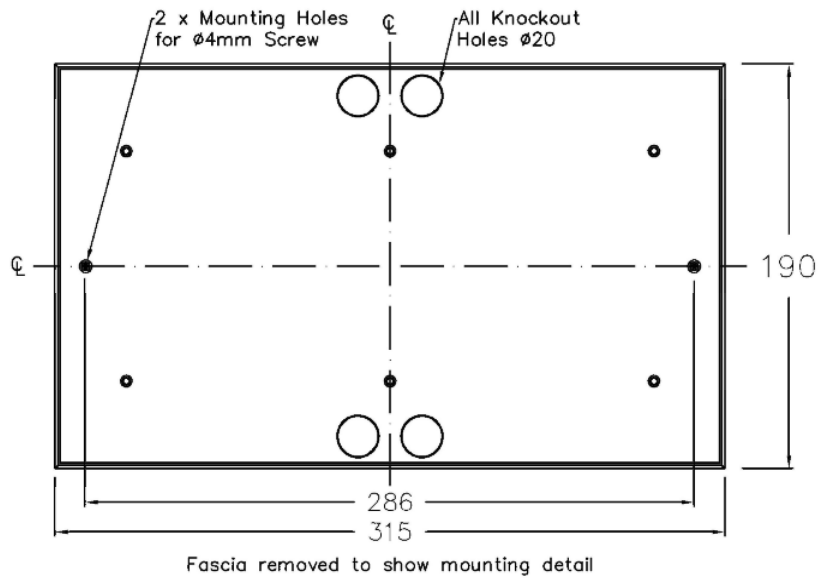


**NOTE:** For wiring connection from the NIFS-2800 Agent Release Module to the warning sign, Fit a 4k7Ω End-Of-Line resistor to the last warning sign output terminals. The maximum number of warning signs which can be connected to the agent release module is seven.<sup>1</sup>

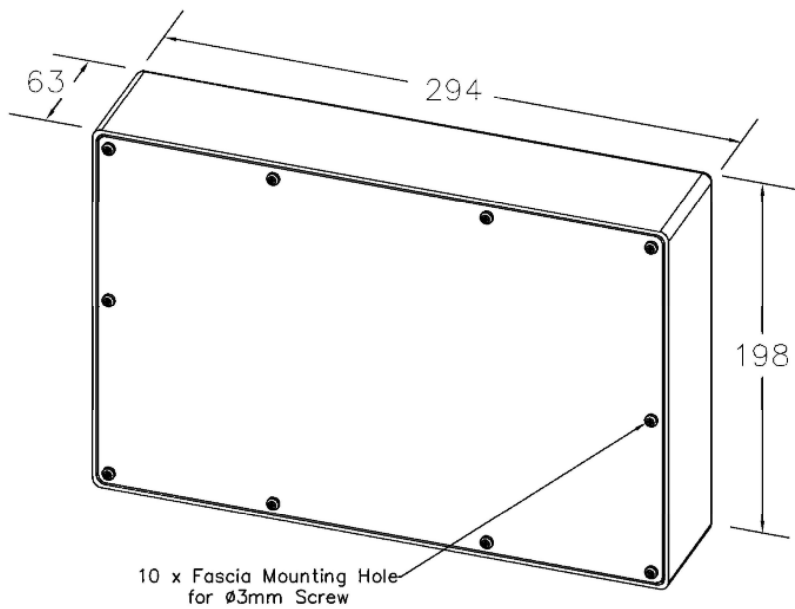


**Figure 1 – Warning Sign (Indoor version) Fascia mounting detail**

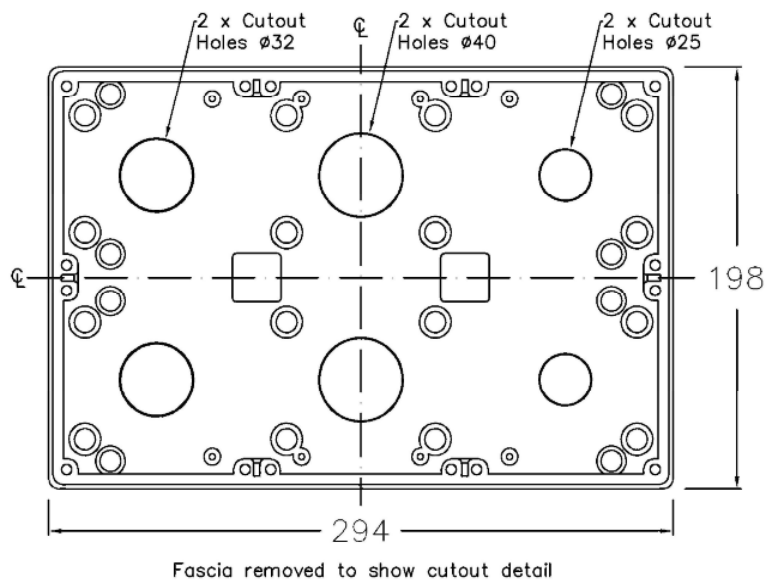
<sup>1</sup> The warning signs are configured with internal buzzers enabled. External sounder is disabled. This value must be recalculated should external sounders be connected. The agent release module warning sign output circuit is protected by a 1A fuse.



**Figure 2 – Warning Sign (Indoor version) mounting detail**



**Figure 3 – Warning Sign (Outdoor version) Fascia mounting detail**



**Figure 4 – Warning Sign (Outdoor version) cut-out detail**

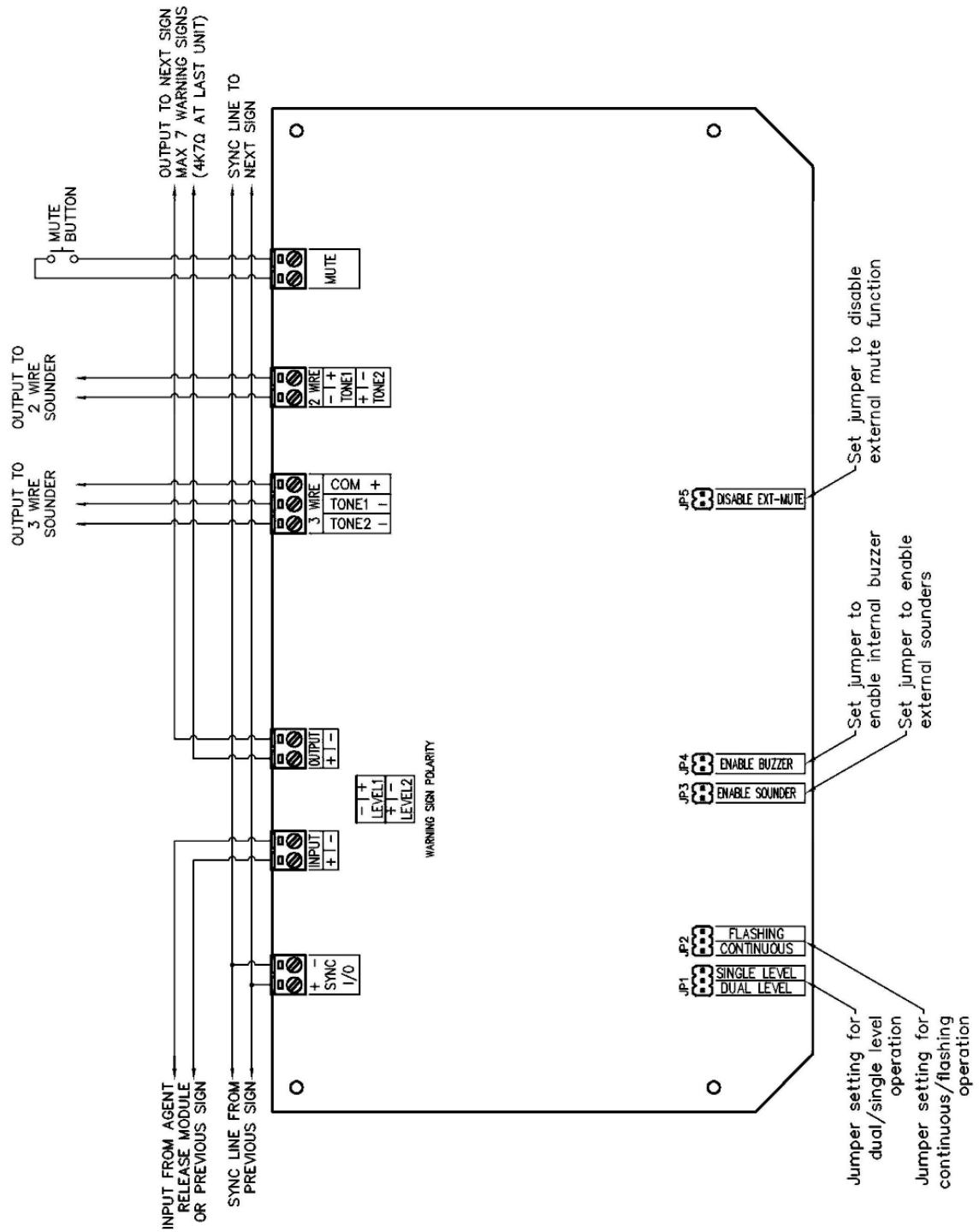


Figure 5 – Warning Sign Connection Diagram

Jumper No.	Description	
JP-1	1-2	Dual Level Top rows LEDs will be ON at Level 1 Alarm All LEDs will be ON at Level 2 Alarm
	2-3	Single Level All LEDs will be ON at both Level 1 & 2 Alarm
JP-2	1-2	Continuous LEDs permanently ON. Internal buzzer outputs continuous tone.
	2-3	Flashing LEDs flash at the approximate rate of 2.3 Hz. Internal buzzer outputs tone matching the flashing LEDs.
JP-3	1-2	Enable Sounder External Sounder will be active at both Level 1 & 2 Alarm
JP-4	1-2	Enable Buzzer Internal buzzer will be active at both Level 1 & 2 Alarm
JP-5	1-2	Disable Ext-Mute Disable external mute for both internal buzzer and external sounder.

Table 1: Jumper Configuration

### 3. Components

The indoor version warning sign is supplied with the components outlined in Table 2.

Part No.	Description	Qty
10413	Warning Sign Indoor Enclosure	1
2316	M3 X 8W6 SEMS Machine Screw Philips	4
N/A	Warning Sign Indoor Fascia c/w Screw	1
10466	Perspex Divider	1
DOC-03-027	Warning Sign Installation Sheet (This Document)	1
11805	Cardboard box	1

**Table 2: Components (Indoor version)**

The outdoor version warning sign is supplied with the components outlined in Table 3.

Part No.	Description	Qty
1659	Warning Sign Outdoor Enclosure c/w Screws for mounting PCA	1
N/A	Warning Sign Outdoor Fascia	1
1658	Neoprene Gasket	1
10466	Perspex Divider	1
1691	6/32' UNC x 3/4' Screws	10
DOC-02-027	Warning Sign Installation Sheet (This Document)	1
11805	Cardboard box	1

**Table 3: Components (Outdoor version)**

### 4. Supplemental Documentation

For information on...	Refer to...	Part No.
Warning Sign & Agent Release Module	Extinguishing Agent Release Module Installation and Programming Manual	DOC-01-005

**Table 4: Supplemental Documentation**