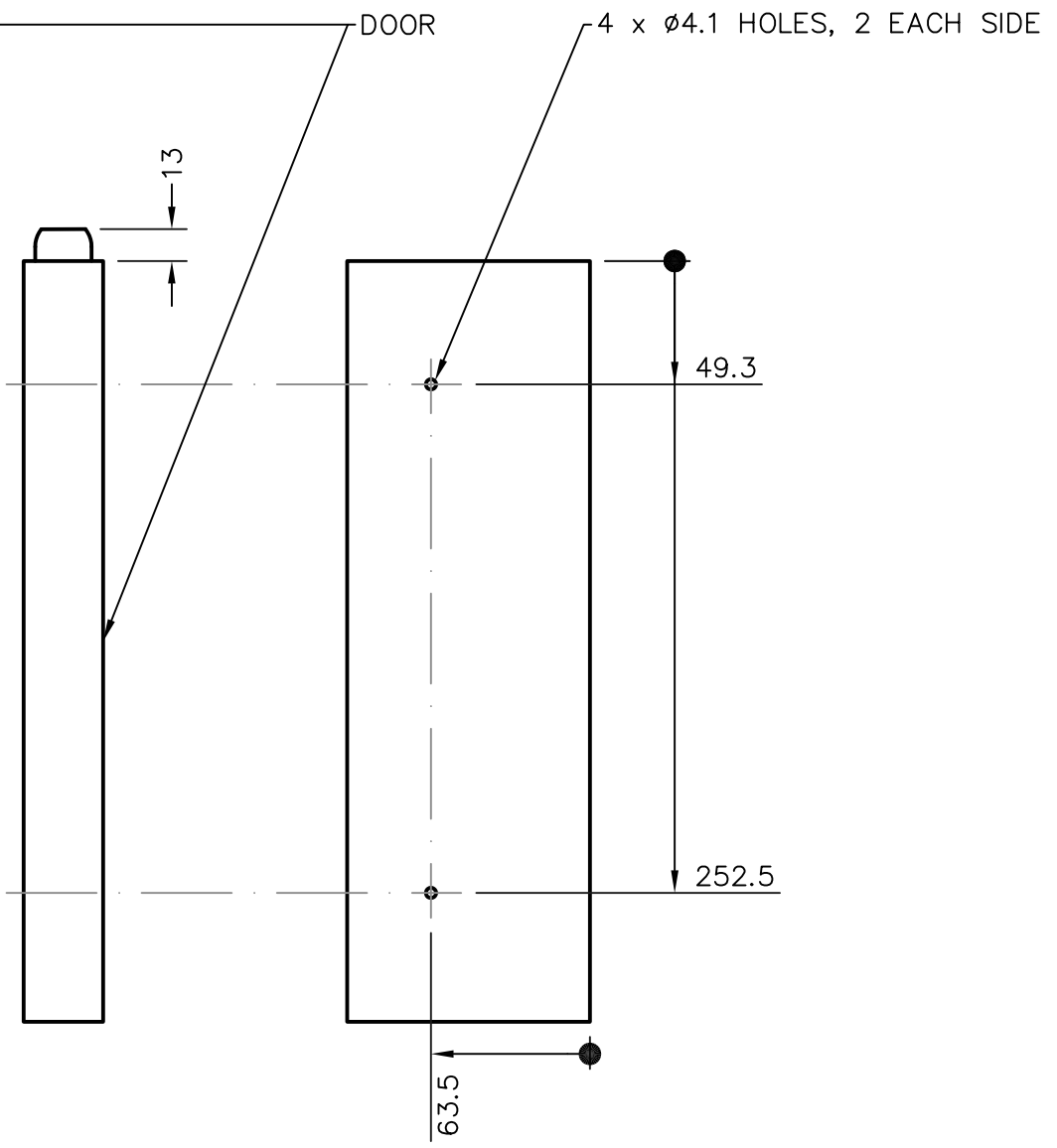
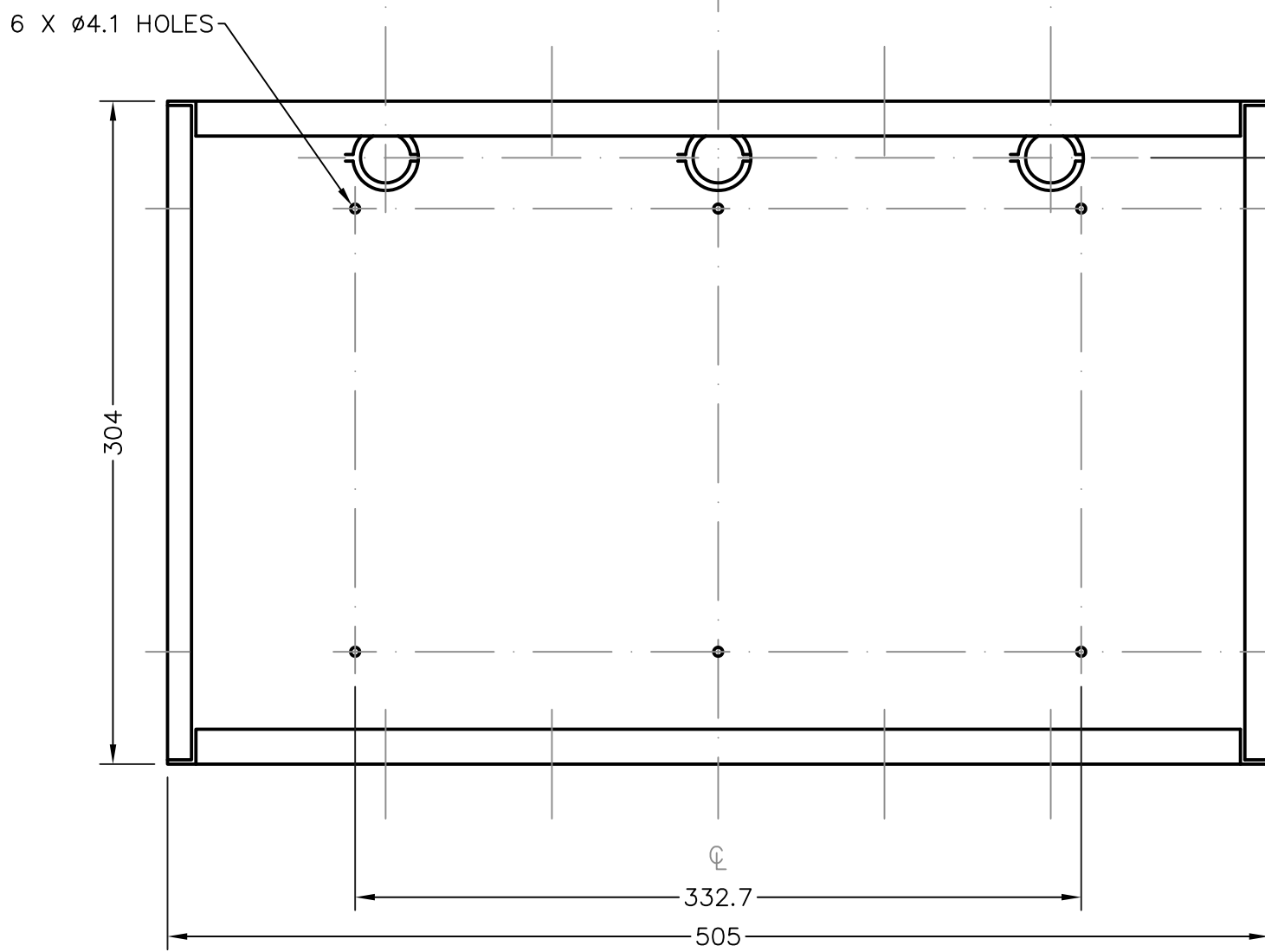
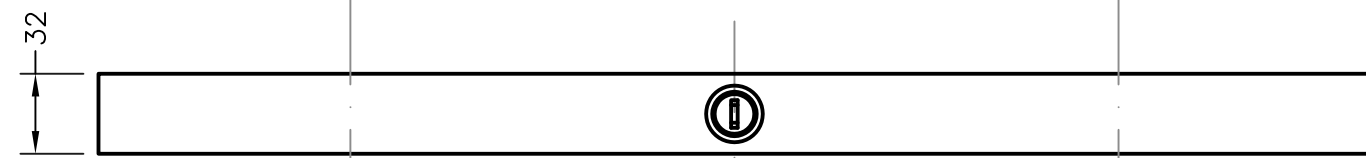
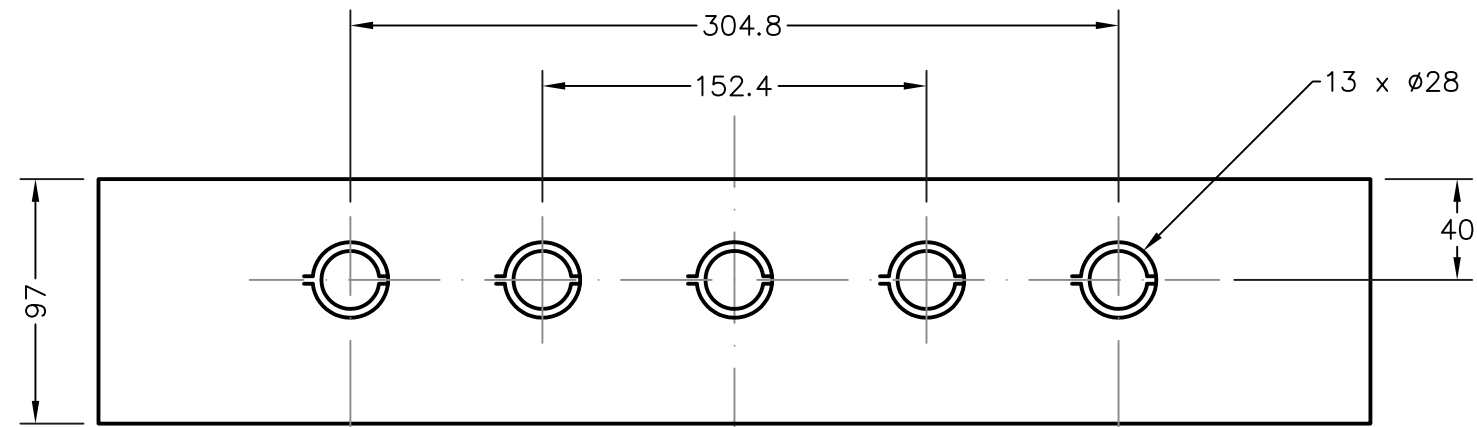


1 2 3 4 5 6 7 8 9 10

ONLY USE FOR CONSTRUCTION IF REV 'CKD' IS INITIALLED!					
REV	ECN	DESCRIPTION	DATE	BY	CKD
A	14-0008	First Release	10.03.14	J.C.	S.F.

A
B
C
D
E
F
G
H



DIMENSIONS IN MILLIMETRES

COPYRIGHT This document is and shall remain the property of Honeywell Ltd. Unauthorised use of this document in any way is prohibited.

NOTIFIER
by Honeywell
9 Columbia Way
Norwest Business Park
Baulkham Hills
NSW 2153
Australia
Ph: +612 9894 1444
Fax: +612 9894 4193

TITLE: ABS-4D BACKBOX PRESENTATION DRAWING	
Part Number: FG-72-014	
SHEET 1 OF 1	NOT TO SCALE
DWG No: DWG0993	SIZE A3