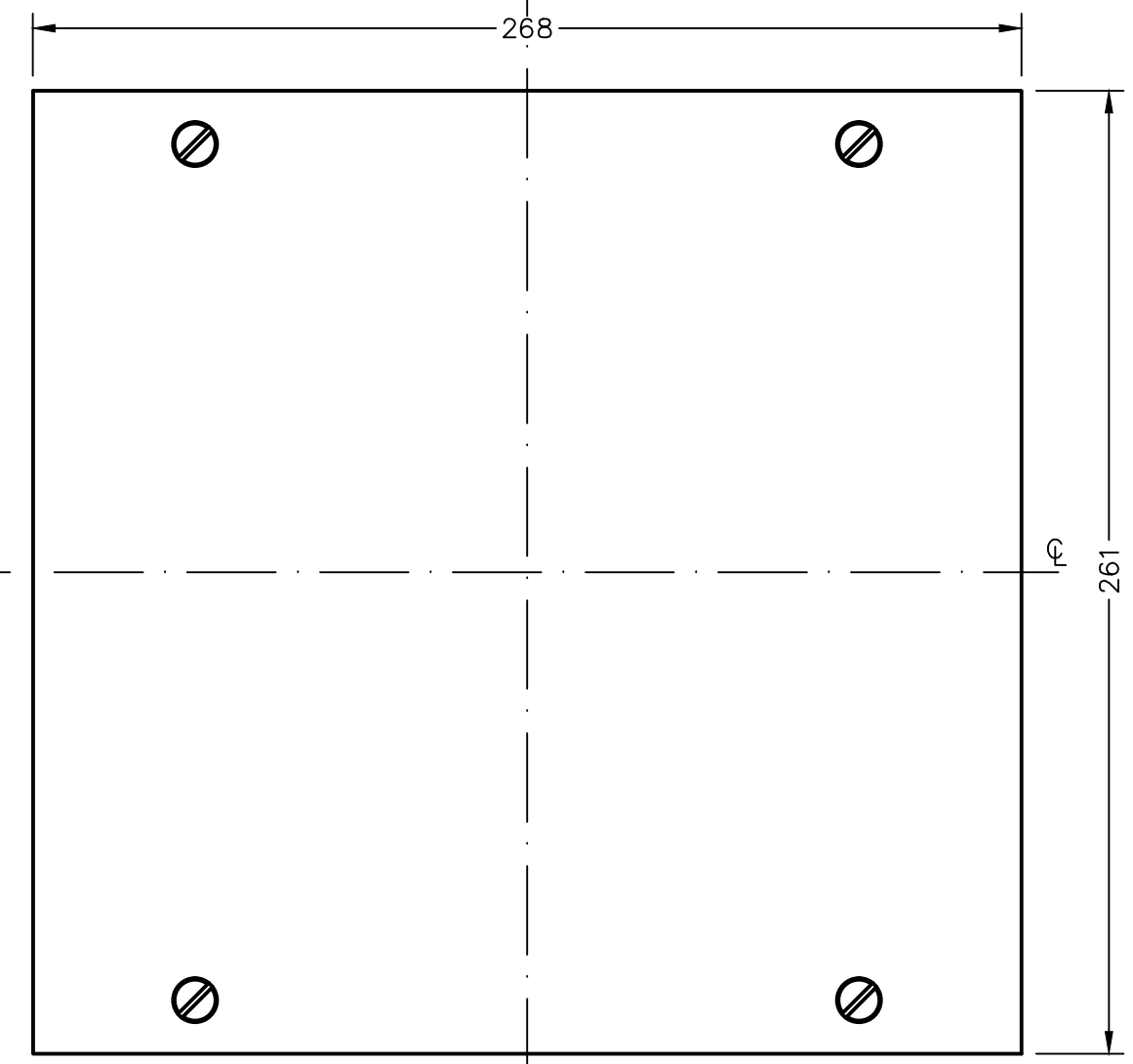
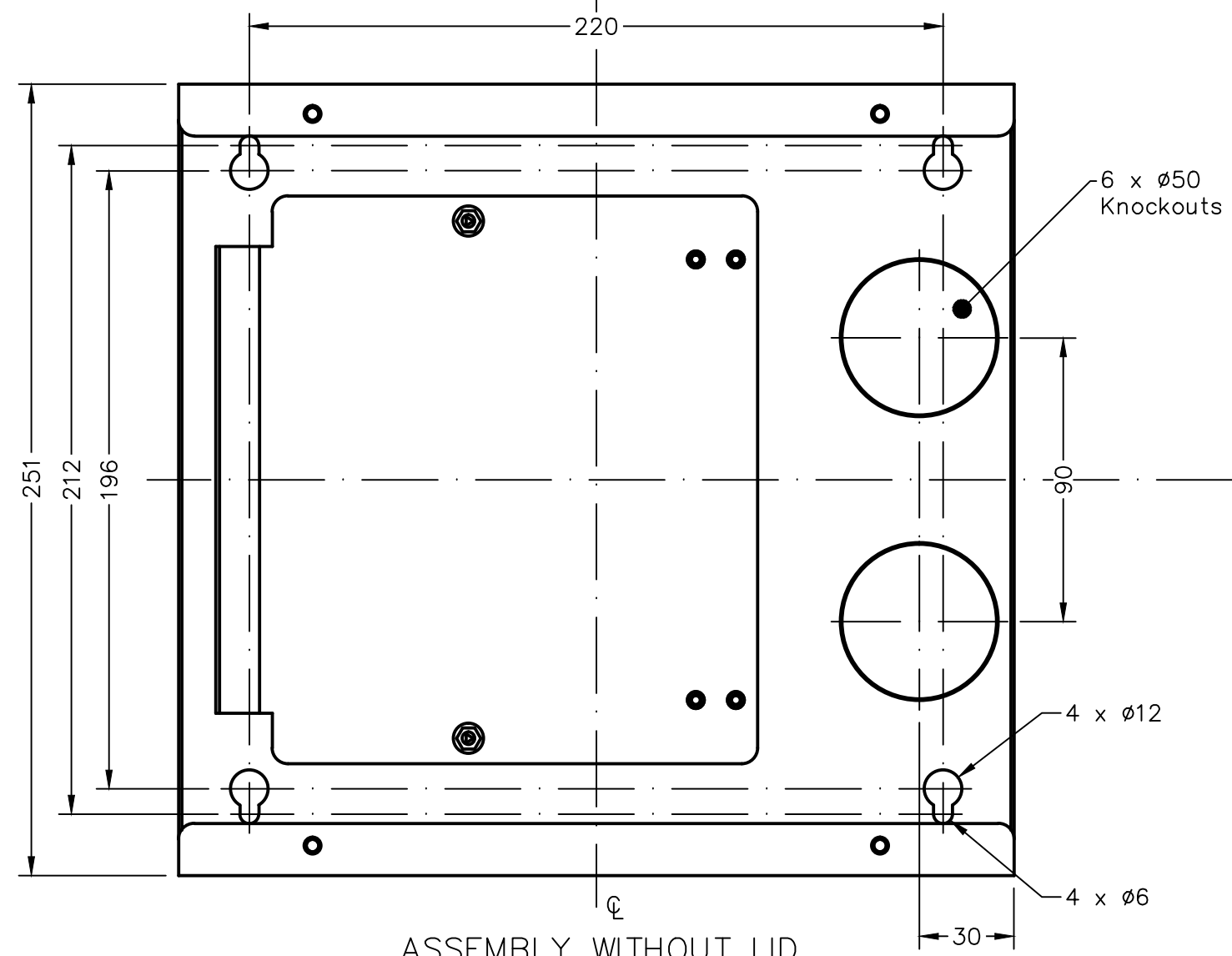
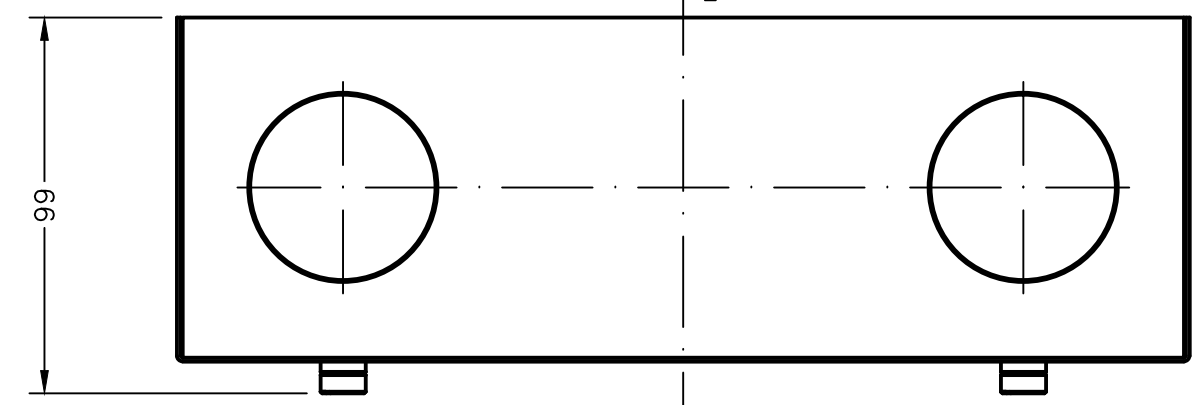
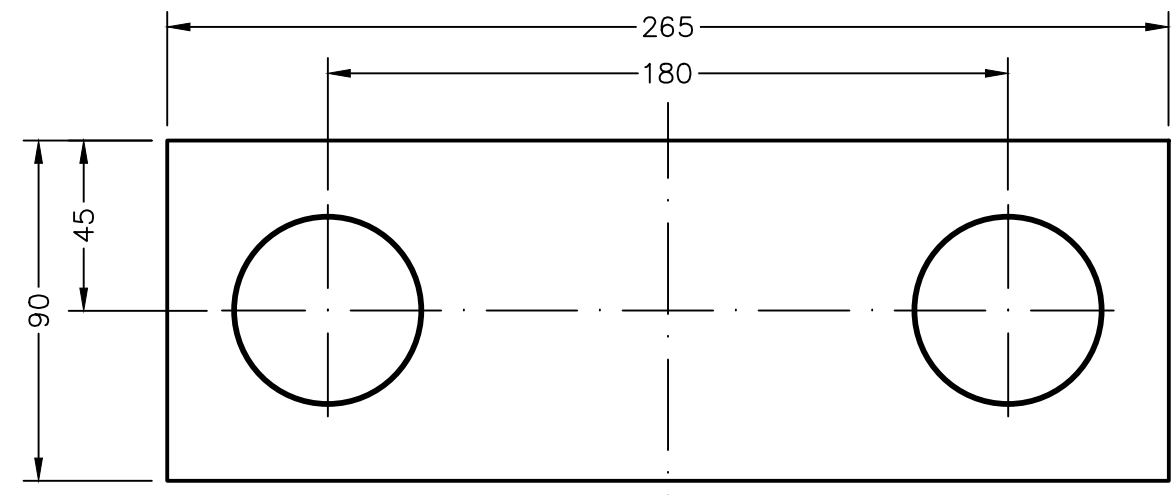


ONLY USE FOR CONSTRUCTION IF REV 'CKD' IS INITIALED!					
REV	ECN	DESCRIPTION	DATE	BY	CKD
A	12-0025	Initial Release	27.06.12	S.F.	S.F.



ASSEMBLY WITH LID FITTED

ASSEMBLY WITHOUT LID

DIMENSIONS IN MILLIMETRES  
DIMENSIONAL LIMITS APPLY BEFORE COATING

COPYRIGHT This document is and shall remain the property of Honeywell Ltd. Unauthorised use of this document in any way is prohibited.

**NOTIFIER**  
by Honeywell  
9 Columbia Way  
Norwest Business Park  
Baulkham Hills  
NSW 2153  
Australia  
Ph: +612 9894 1444  
Fax: +612 9894 4193

TITLE: DGP-1 ASSEMBLY PRESENTATION DRAWING	
SYSTEM: N/A	
SHEET 1 OF 1	NOT TO SCALE
DWG No: DWG0876	
SIZE A3	