

SP-100WP

Moisture Resistant 100mm Ceiling Speaker



Evacuation

The Difference is Clear

General

The SP-100WP is a compact recessed ceiling speaker designed specifically for Public Address and Voice Alarm (PA-VA) systems installed in high humidity environments or areas where the speaker may be exposed to moisture.

This IP54 speaker features an aluminium grille and moisture resistant cone making the SP-100WP ideal for areas such as bathrooms, change rooms, laundries or high humidity climates where typically a paper cone will become degraded over time.

The 100mm, 6W dual cone dynamic loudspeaker provides a broad frequency response range, low harmonic distortion and maintains a high sound pressure level at all tap settings to provide accurate and intelligible broadcast of evacuation and PA messages.

The tapered ABS body with perforated aluminium grille provide an attractive design to ensure a high quality finish.

The unique enclosed termination housing allows for loop through cabling, convenient plug on/plug off tapping as well a convenient field cable fixing point and together with the custom *spring fit* system the SP-100 allows easy installation and even more importantly; removal without damage to sensitive ceilings.

The low-profile surface mount box is designed to accommodate the standard recessed speaker in order to provide a simple installation and also reduce costly inventory on the contractor.

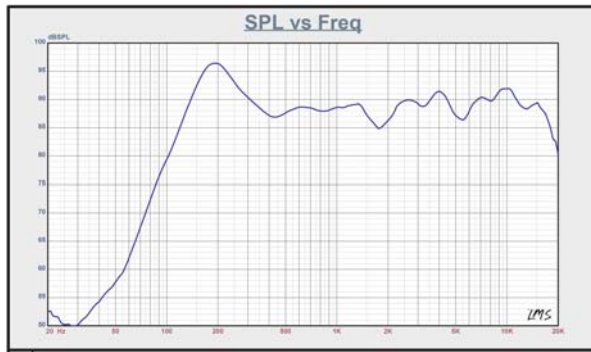


SP-100WP Speaker

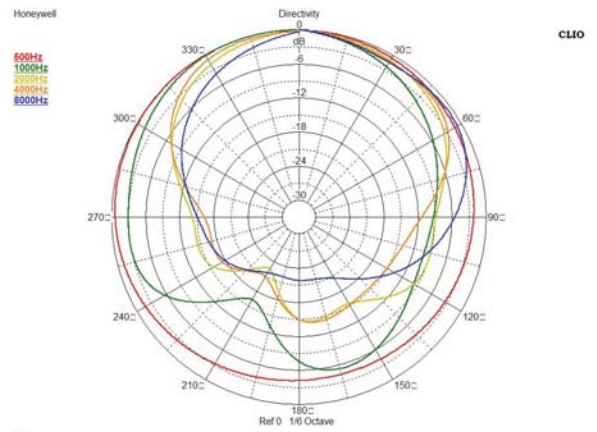
Features

- Attractive quality appearance
- High 102dB sound pressure level
- Excellent frequency response
- Perforated aluminium speaker grille
- Moisture resistant cone
- Simple spring fit system
- Easy install and removal
- Flush or surface mounting option
- Enclosed terminal block
- Easy to use spring clip tapings
- Convenient field cable fixing point

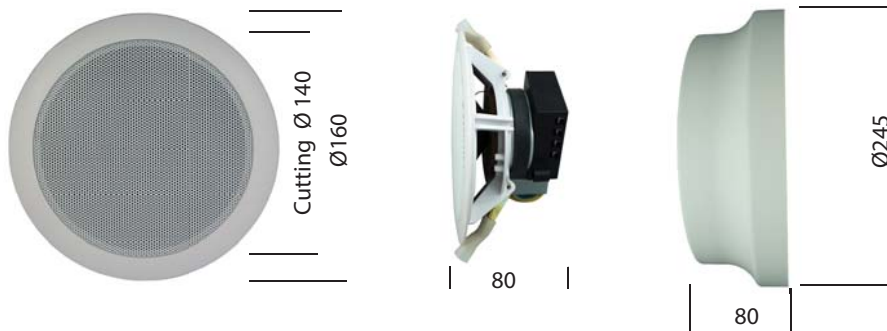
SPL vs Frequency Graph



SP-100 Polar Plot



Dimensions



Specifications

Rated Power:	6W, 100V line transformer
Transformer Power Taps:	6W, 3W, 1.5W, 0.75W, 0.375W
Default Power Tap:	0.75W
Sensitivity:	90 dB S
Maximum SPL:	102 dB
Frequency Response:	180 Hz - 13 kHz
Speaker Unit:	4"
IP Rating:	IP54
Dimensions:	160mmØ x 80mm (Recess depth 75mm)
Colour:	White RAL 9003
Cut Out:	140mmØ

Ordering Information

FG-70-029
FG-70-034

SP-100WP Ceiling Speaker, White
Surface mount box to suit SP-100WP

© 2013 by Honeywell International Inc. All rights reserved.
Unauthorised use of this document is strictly prohibited.

This document is not intended for installation purposes.
We try to keep our product information up-to-date and accurate.
We cannot cover all specific applications or anticipate all requirements.
All specifications are subject to change without notice.

For more information contact your nearest Notifier Sales Office or Distributor
www.notifier.com.au