



NOTIFIER[®]
by Honeywell

9 Columbia Way
Baulkham Hills, NSW 2153
PH 02-9894-1444 • FAX 02-9894-4193
www.notifier.com.au

Alarm Routing Equipment Interface (ARE) Installation Sheet - Released

7/11/2013 Rev: B

DOC-03-062 ECN13-0026

1 Product Overview

The Alarm Routing Equipment (ARE) interface provides a method of connecting the Alarm Routing Equipment (Brigade Interface) to the Fire Panel. There are 6 outputs to the ARE and 3 feedback status inputs from the ARE.

2 Installation



WARNING: Remove all power sources to the panel before installation. Leave the external and main power OFF until installation is complete.

2.1 Mounting Options

1. Remove the existing blanking plate from the inner door.
2. Using the supplied screws fit the Alarm Signalling Equipment (ASE) the ARE Assembly.
3. The completed ARE Interface Assembly is mounted to the inner door using the flanged nuts. Once fitted the ASE device should be visible from the outside of the fire panel.

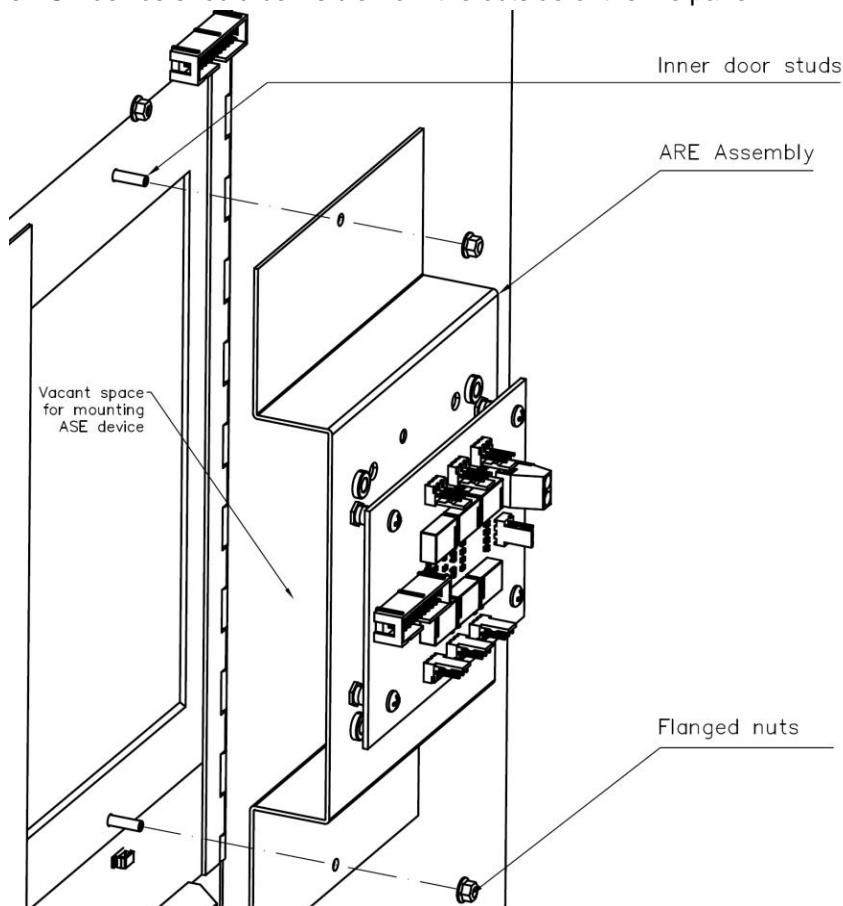


Figure 2-1 - Mounting ARE Interface Assembly to Inner Door

2.2 Connections

To connect the ARE Interface refer to the schematic shown on page 3.

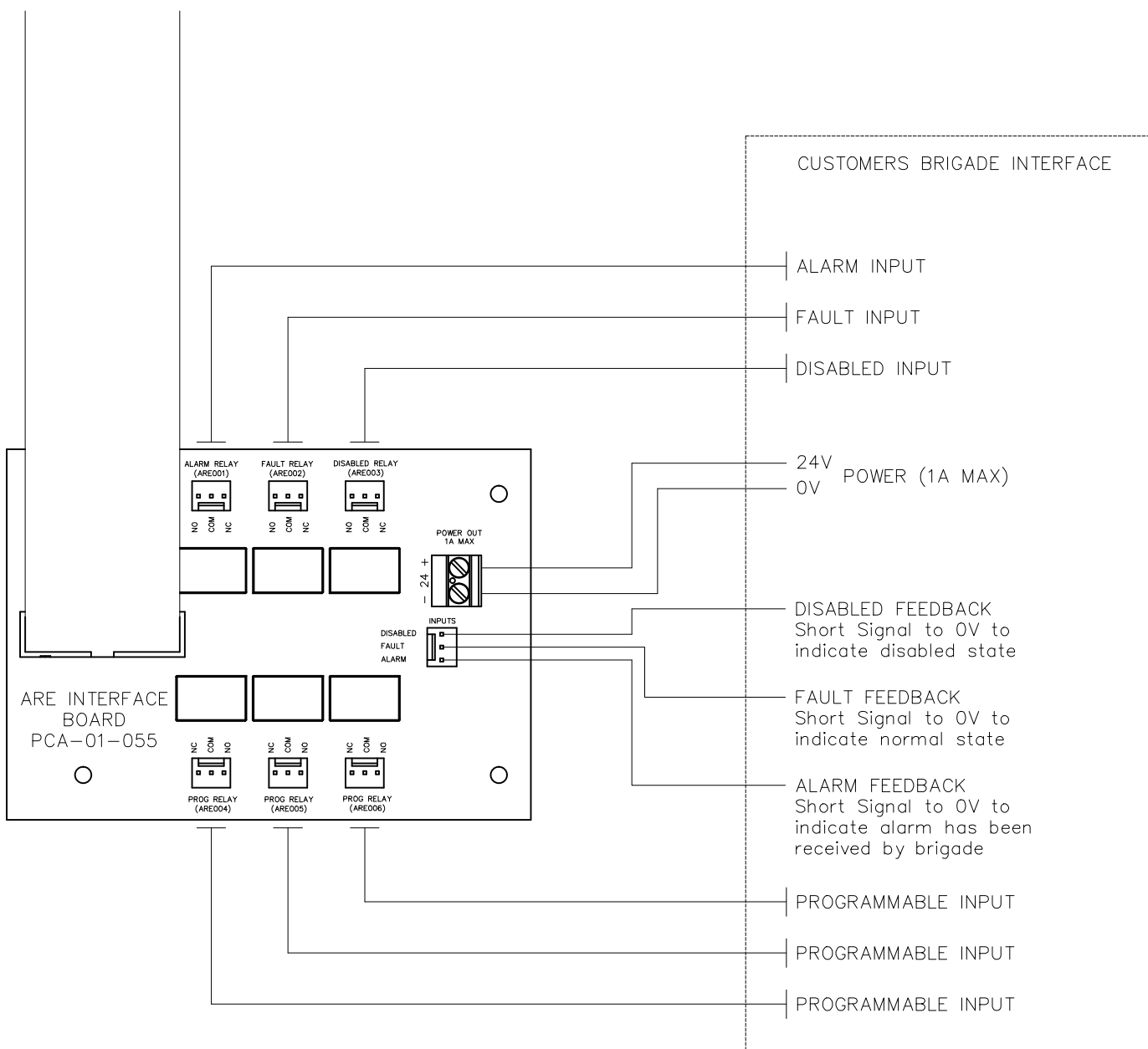
3 Supplemental Documentation

For Information on...	Refer to...	Doc No.
Programming the ARE	CFP-16 Manual (AUS)	DOC-01-022

Table 1: Supplemental Documentation

ONLY USE FOR CONSTRUCTION IF REV 'CKD' IS INITIALLED!				
REV	ECN	DESCRIPTION	DATE	BY CKD
A	12-0069	Initial Release	12.03.13	S.F. C.B.
B	13-0026	Corrected ARE output labels	13.11.13	S.F. C.B.

26-WAY
RIBBON CABLE
(to CFP-16
keypad Brigade
Interface)



ARE INTERFACE
BOARD
PCA-01-055

CUSTOMERS BRIGADE INTERFACE

ALARM INPUT
FAULT INPUT
DISABLED INPUT

24V
0V POWER (1A MAX)

DISABLED FEEDBACK
Short Signal to 0V to
indicate disabled state

FAULT FEEDBACK
Short Signal to 0V to
indicate normal state

ALARM FEEDBACK
Short Signal to 0V to
indicate alarm has been
received by brigade

PROGRAMMABLE INPUT
PROGRAMMABLE INPUT
PROGRAMMABLE INPUT

COPYRIGHT This document is and shall remain the property of Honeywell Ltd. Unauthorised use of this document in any way is prohibited.

NOTIFIER
by Honeywell
9 Columbia Way
Norwest Business Park
Baulkham Hills
NSW 2153
Australia
Ph: +612 9894 1444
Fax: +612 9894 4193

TITLE:	ARE SCHEMATIC TO SUIT CFP-16	
SYSTEM:	CFP-16	
SHEET 1 OF 1	NOT TO SCALE	
DWG No: DWG0926	SIZE A2	