



**NOTIFIER**<sup>®</sup>  
by Honeywell

9 Columbia Way  
Baulkham Hills, NSW 2153  
PH 02-9894-1444 • FAX 02-9894-4193  
[www.notifier.com](http://www.notifier.com)

## SP-100 Series Ceiling Loudspeaker Installation Document

06/06/2013 Rev: **C**

DOC-03-045 ECN13-0032

### 1 Product Overview

Full-range 4", 6W dual-cone dynamic loudspeaker. 100V line transformer features five taps for 0.375W, 0.75W, 1.5W, 3W and 6W outputs. Unique terminal housing design provides secure, low-noise connections and easy installation. Attractive ABS resin finish with complementary metal grille suits any décor. An optional surface mount box is available for solid ceiling or wall installation

**SP-100** provides a general application ceiling or surface mount speaker in an attractive white finish for indoor environments.

**SP-100-BK** provides a black version of the SP-100 suitable for areas such as cinemas and night clubs or other applications where a black finish is required.

**SP-100WP** provides an Aluminium grill and water-proof coated cone to ensure the speaker is suitable for high-humidity environments like bathrooms and coastal sea locations.

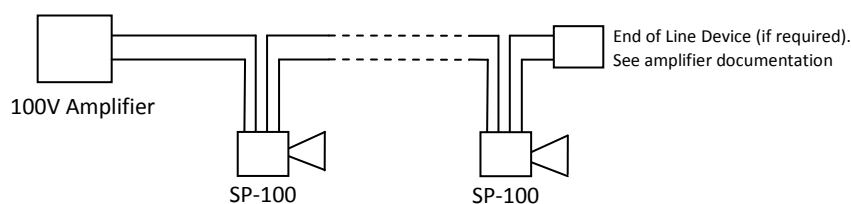


### 2 Installation

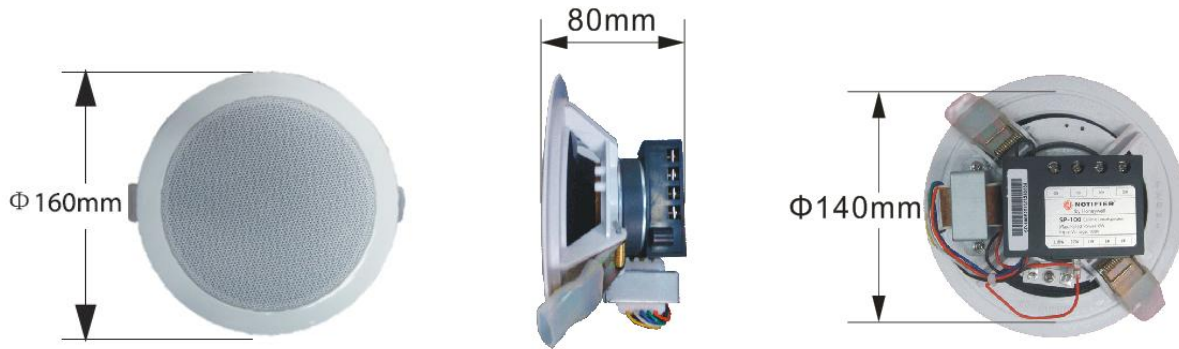


**WARNING:** Installation should be performed by competent persons in accordance with the relevant standards as required for the installation. Honeywell Ltd accepts absolutely no liability for the suitability or placement of the speakers within an installation.

#### 2.1 Connections



### 3 Size



### 4 Specifications

	SP-100	SP-100-BK	SP-100WP
Rated Power: .....	6W, 100v line transformer		
Transformer Power: .....	6W-3W-1.5W-0.75W-0.375W		
Sensitivity: .....	90dB		
Maximum SPL: .....	102dB		
Frequency Response: .....	180 Hz ~ 13k Hz		
Speaker Unit: .....	4"		
Dimensions: .....	Ø160mm x 80mm		
Mounting hole dimensions: .....	Ø140mm		
Weight: .....	660g		
Material: (housing).....	ABS		
(grille) .....	Powder coated steel		Powder coated Aluminium
Colour: .....	White (RAL9003)	Black (RAL9004)	White (RAL9003)
Surface Mount Box: .....	Ø245mm x 75mm		

Table 1: Specifications