



**NOTIFIER**<sup>®</sup>  
by Honeywell

9 Columbia Way  
Baulkham Hills, NSW 2153  
PH 02-9894-1444 • FAX 02-9894-4193  
[www.notifier.com.au](http://www.notifier.com.au)

## ACM Annunciators Installation Sheet - Released

26/03/2015 Rev A

DOC-03-090

### 1 Product Overview

The ACM Annunciators (ACM-24AT, AEM-24AT, ACM-48A, and AEM-48A) are used to control and monitor the status of circuits connected to an addressable fire panel.

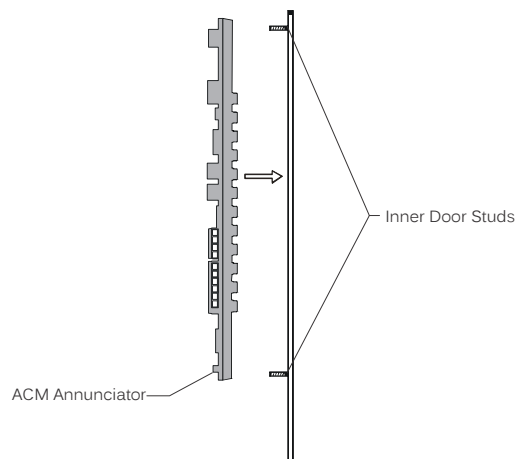
### 2 Installation



**WARNING:** Remove all power sources to the panel before installation. Leave the external and main power OFF until installation is complete.

#### 2.1 Mounting an ACM Module

1. Open the outer and inner doors of the cabinet.
2. Remove an Annunciator Blank Plate from the inner door by unscrewing the two M3 Flanged Nuts and sliding the plate off the mounting studs.
3. Place the ACM Annunciator Module on the mounting studs in the empty annunciator slot, with the LEDs and annunciator windows facing the outer door.
4. Secure with two M3 Flanged Nuts.



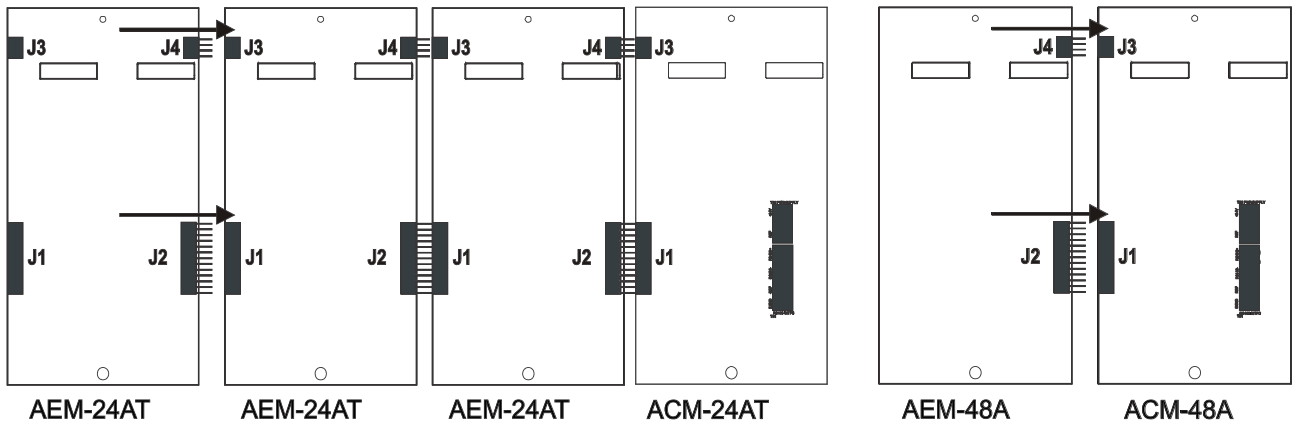
**Figure 2-1 - Mounting the ACM Annunciator to an annunciator slot**

#### 2.2 Mounting an AEM Expander

1. Open the outer and inner doors of the cabinet.
2. Disconnect any cables running to the ACM Annunciator Module.
3. Remove the ACM Annunciator Module from the inner door by unscrewing the two M3 Flanged Nuts and sliding the module off the mounting studs. Repeat with blank plates in adjacent annunciator slots as required, dependent upon the number of expanders to be installed.
4. Carefully align the expansion headers on the ACM Annunciator Expander(s) to the ACM Annunciator Module and slide together to join (see Figure 2-2.)



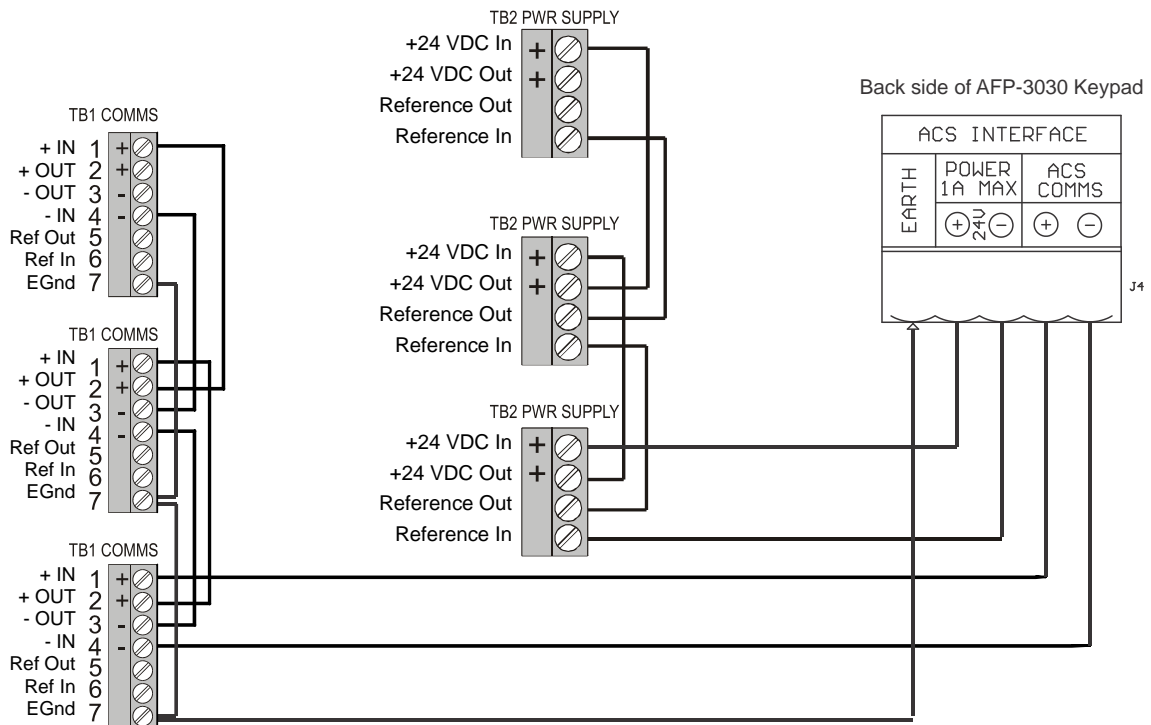
**NOTE:** An ACM-24AT can accept three AEM-24AT expanders, for a total of 96 points at the same address. An ACM-48A accepts one AEM-48A expander, for a total of 96 points at the same address.



**Figure 2-2 - Joining the ACM-24AT & ACM-48A to Expanders**

5. Place the joined ACM Annunciator Module and Expander(s) on the mounting studs in the empty annunciator slots, with the switches and annunciator facing the outer door.
6. Secure with M3 Flanged Nuts.

### 2.3 Connections



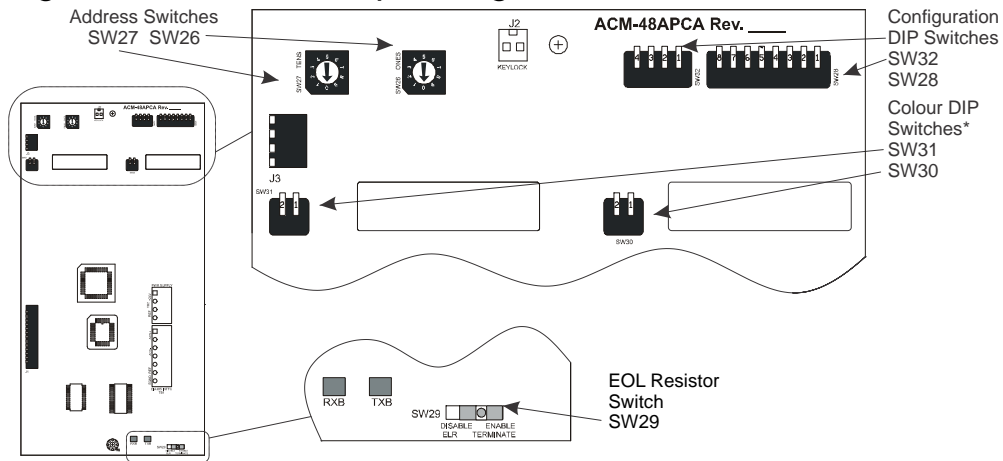
**Figure 2-3 – ACS Comms (TB1) and Power (TB2) connections to the Keypad**



**NOTE:** For installation in panels without a keypad, connect the ACS Annunciator to the ACS COMMS & 24V PANEL OUTPUT terminals on the AFP-3030 CPU, and connect EGnd to a grounded mounting screw on the cabinet.

### 3 Configuration

#### 3.1 Setting the Address and Operating Modes



**Figure 3-1 - Rotary address switches**



**NOTE:** The available address range for the ACM Annunciator is 2-32 (inclusive.)

1. Set a unique address for the ACM Annunciator Module using the rotary address switches along the top of the module.
2. Set the operating mode using the DIP switches on the ACM Annunciator Module. See Table 1 for a description of the switch functions.
3. Configure annunciator points via the panel's keypad or through VeriFire Tools. Refer to the panel's *Programming Manual* for further information on programming the annunciator.
4. Create annunciator labels to match the annunciator point layout. See the Notifier website ([www.notifier.com.au](http://www.notifier.com.au)) for label templates.
5. Cut out and insert the labels in the label slots on the back of the annunciator.

| Switch Bank | Switch No. | Default Setting | Description  | Usage    |         |
|-------------|------------|-----------------|--|----------|---------|
|             |            |                 |  | ACM-24AT | ACM-48A |
| SW28        | 1          | OFF             | Turn 'ON' for manual override of control relays.   | ✓        | ✓       |
|             | 2          | OFF             | Configures the number of expander modules. See Table 3 for details.  | ✓        | ✓       |
|             | 3          | OFF             |  |          |         |
|             | 4          | OFF             | Not used.  | ✗        | ✗       |
|             | 5          | OFF             | Turn 'ON' for Receive Only mode, to mirror another annunciator at the same address in a different location.  | ✓        | ✓       |
|             | 6          | OFF             | Turn 'ON' for Piezo Disable, to disable the buzzer from sounding for any event.                              | ✓        | ✓       |
|             | 7          | OFF             | Turn 'ON' for Switch Inhibit, to disable point control switches on the annunciator.                          | ✓        | ✗       |
|             | 8          | OFF             | Turn 'ON' for Flash Inhibit, to disable the flashing of LEDs for unacknowledged events. Also disables piezo. | ✓        | ✓       |
| SW32        | 1          | OFF             | Turn "ON" for Program Mode to cycle LED colours on ACM-24AT & expanders.                                     | ✓        | ✗       |
|             | 2          | OFF             | Configures Speaker Control Mode. See <i>ACS Series Installation Manual</i> for details.                      |          |         |
|             | 3          | OFF             |  | ✓        | ✗       |
|             | 4          | OFF             |  |          |         |

| Switch Bank   | Switch No. | Default Setting | Description  | Usage    |         |
|---------------|------------|-----------------|--|----------|---------|
|               |            |                 |  | ACM-24AT | ACM-48A |
| SW30 (SW25**) | 1          | N/A             | Sets colours of the first column of LEDs. See Table 2 for details.                               | X        | ✓       |
|               | 2          | N/A             |  |          |         |
| SW31 (SW26**) | 1          | N/A             | Sets colours of the second column of LEDs. See Table 2 for details.                              | X        | ✓       |
|               | 2          | N/A             |  |          |         |
| SW29          | -          | DISABLE         | Set to 'ENABLE' to install the built-in end-of-line resistor for the last device on the circuit. | ✓        | ✓       |

\*\*AEM-48A only

**Table 1 – DIP Switches and Default Settings**

| LED Colour | DIP Switch Settings                  |
|------------|--------------------------------------|
| Green      | <p>ON Position      OFF Position</p> |
| Red        |                                      |
| Yellow     |                                      |
| None       |                                      |

**Table 2 – LED Colour Configurations**

| No.  | DIP Switch Settings |
|------|---------------------|
| None |                     |
| 1    |                     |
| 2†   |                     |
| 3†   |                     |

†ACM-24AT only

**Table 3 - Number of Expanders**

## 4 Supplemental Documentation

| For information on... | Refer to...                              | Doc No.    |
|-----------------------|--|------------|
| Operating modes       | ACS Series Installation Manual           | 15842      |
| Programming           | AFP-3030 Australian Programming Manual   | DOC-01-032 |
|                       | AFP-3030 New Zealand Programming Manual  | DOC-01-038 |
|                       | XLS-3000A Australian Programming Manual  | DOC-01-035 |
|                       | XLS-3000A New Zealand Programming Manual | DOC-01-041 |
|                       | Notifier NCA-2 Australian Manual         | DOC-01-043 |
|                       | Notifier NCA-2 New Zealand Manual        | DOC-01-045 |
|                       | Honeywell NCA-2 Australian Manual        | DOC-01-044 |
|                       | Honeywell NCA-2 New Zealand Manual       | DOC-01-046 |

**Table 4 - Supplemental Documentation**