

BACNET-GW-3

BACnet Gateway



INTEGRATION & GRAPHICS

General

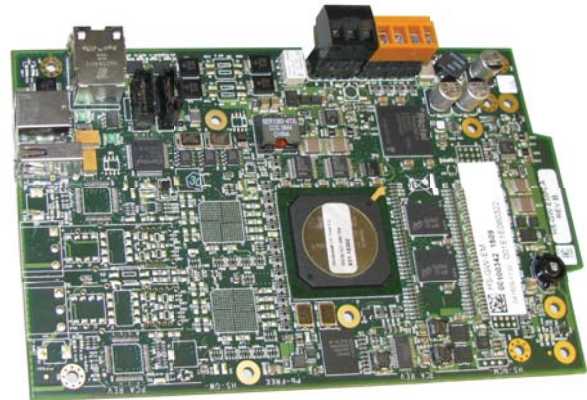
The BACNET-GW-3 provides an interface between NOTI-FIER's fire panel network NOTI-FIRE-NET™ (either the standard or the high-speed version) and a network using the BACnet/IP communication protocol.

With the Gateway interface, devices on NOTI-FIRE-NET fire alarm control panels are represented as BACnet objects to the BAC-net client. The user subscribes to Event Notification objects per FACP, and the BACnet device receives events from objects on the FACP as a result of this subscription.

The BACNET-GW-3 can be connected to NOTI-FIRE-NET via the network port on any network control module (NCM). Connected to NOTI-FIRE-NET, each BACNET-GW-3 can support a maximum of 14 other nodes or 15,000 objects. Multiple BACNET-GW-3s can be used to interface with larger networks.

Features

- Compatible with AFP-2800 FACP's.
- The BACNET-GW-3 can monitor up to 14 NOTI-FIRE-NET nodes with a maximum combined object count of 15,000 (object count includes all detectors, monitor modules, notification appliance circuits, etc.).
- Multiple BACNET-GW-3s can be used for large networks (more than 15 nodes total).
- PC programmable using the BACNET-GW-3 ConfigurationTool, an offline programming utility used to configure the BACNET-GW-3. The Configuration Tool is used on a compatible computer that is using Windows® XP OS.
- The NOTIFIER BACNET-GW-3 can behave as a foreign device when communicating with a third-party BBMD (BAC-net Broadcast Management Device).
- Compatible with standard and high-speed NOTI-FIRE-NET.



Connections

- The BACNET-GW-3 is connected to NOTI-FIRE-NET via the network port on the network control module to the Gateway.
- BACNET-GW-3 is connected to the BACnet front end via a standard RJ45 Ethernet connector (CN2).

Product Line Information

The BACNET-GW-3 (ordered as such) includes everything required to set up an interface to an existing NOTIFIER system or network with the exception of a chassis and the Network Control Module (NCM). It includes:

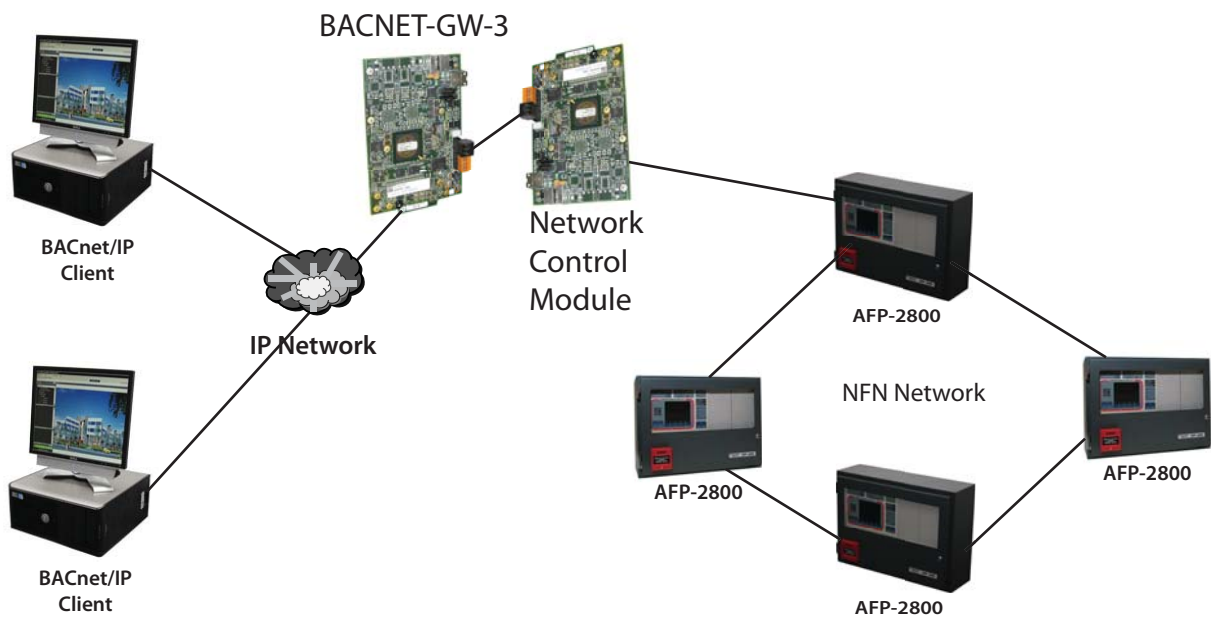
- PC board for the BACNET-GW-3.
- Software on CD-ROM (Configuration Tool).
- RJ45 to RJ45 Standard Ethernet Network Cable.
- NUP to NUP cable.

Additional required components (from other vendors):

- IBM-compatible PC with Windows XP.
- Standard Ethernet network cable with RJ45 connectors.

PIC Statement/BACnet Information

The BACNET-GW-3 PIC Statement is available at www.notifier.com.au. Select products and then network systems. For information on the BACnet protocol, see www.bacnet.org.



Single NFN Network Diagram

© 2009 by Honeywell International Inc. All rights reserved.
 Unauthorised use of this document is strictly prohibited.

This document is not intended for installation purposes.
 We try to keep our product information up-to-date and accurate.
 We cannot cover all specific applications or anticipate all requirements.
 All specifications are subject to change without notice.

For more information contact your nearest Notifier Sales Office or Distributor
www.notifier.com.au
